

# Data Sheet

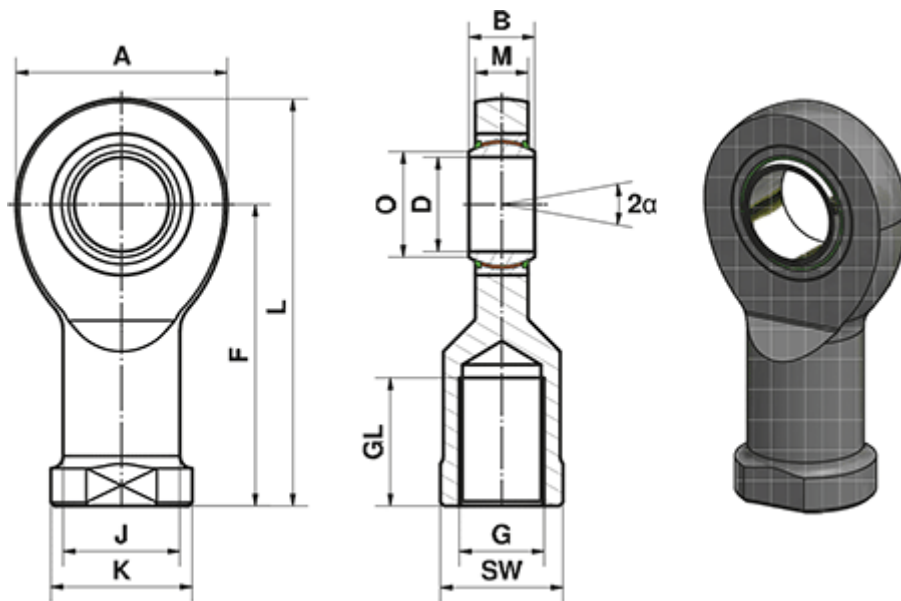


Article number: 03490017

Description: Fluro Heavy Duty Rod end EI 17 EW-2RS  
M16 Female thread

Note: 17

## Measures



A	= 46	J	= 24
a (degrees)	= 10	K	= 30
B	= 14	L	= 90
D	= 17	M	= 11
Dynamic load C (kN)	= 48.7	O	= 20.7
F	= 67	Static load C0 (kN)	= 54.5
G	= M16	SW	= 27
GL	= 33	Weight (g)	= 220